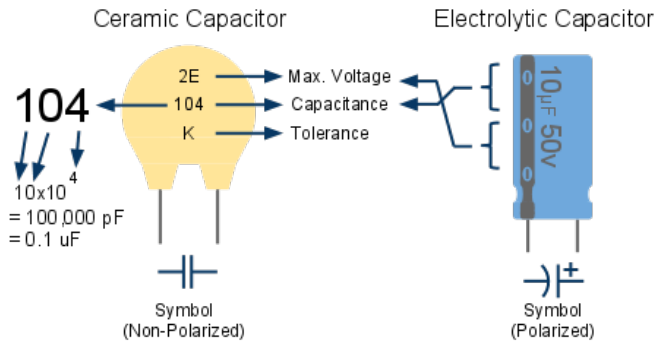


Capacitors



Max. Operating Voltage

Code	Max. Voltage
1H	50V
2A	100V
2T	150V
2D	200V
2E	250V
2G	400V
2J	630V

Capacitance Conversion Values

Microfarads (μF)	Nanofarads (nF)	Picofarads (pF)
0.000001 μF	0.001 nF	1 pF
0.00001 μF	0.01 nF	10 pF
0.0001 μF	0.1 nF	100 pF
0.001 μF	1 nF	1,000 pF
0.01 μF	10 nF	10,000 pF
0.1 μF	100 nF	100,000 pF
1 μF	1,000 nF	1,000,000 pF
10 μF	10,000 nF	10,000,000 pF
100 μF	100,000 nF	100,000,000 pF

Tolerance

Code	Percentage
B	$\pm 0.1 \text{ pF}$
C	$\pm 0.25 \text{ pF}$
D	$\pm 0.5 \text{ pF}$
F	$\pm 1\%$
G	$\pm 2\%$
H	$\pm 3\%$
J	$\pm 5\%$
K	$\pm 10\%$
M	$\pm 20\%$
Z	+80%, -20%



Manas Sharma

I'm a physicist specializing in computational material science with a PhD in Physics from Friedrich-Schiller University Jena, Germany. I write efficient codes for simulating light-matter interactions at atomic scales. I like to develop Physics, DFT, and Machine Learning related apps and software from time to time. Can code in most of the popular languages. I like to share my knowledge in Physics and applications using this Blog and a YouTube channel.

manas.bragitoff.com/









Share this:

Click to share on Facebook (Opens in new window)

Click to share on Twitter (Opens in new window)

Click to share on WhatsApp (Opens in new window)

Click to share on Pinterest (Opens in new window)

Click to share on Reddit (Opens in new window)

Click to share on LinkedIn (Opens in new window)

Click to email a link to a friend (Opens in new window)

Click to print (Opens in new window)

Click to share on Tumblr (Opens in new window)

Click to share on Pocket (Opens in new window)

Click to share on Telegram (Opens in new window)

[wpedon id="7041" align="center"]