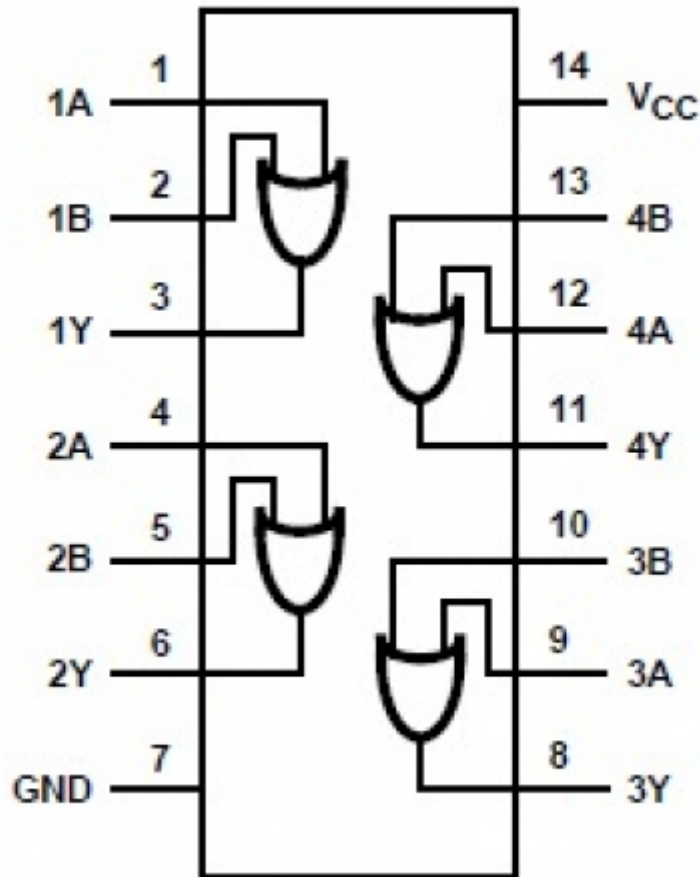
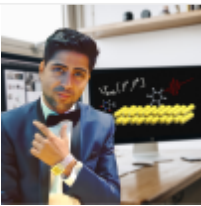


(IC 74HC32) Pinout Diagram:



IC 74HC32-Quad 2-input OR gate



Manas Sharma

I'm a physicist specializing in computational material science with a PhD in Physics from Friedrich-Schiller University Jena, Germany. I write efficient codes for simulating light-matter interactions at atomic scales. I like to develop Physics, DFT, and Machine Learning related apps and software from time to time. Can code in most of the popular languages. I like to share my knowledge in Physics and applications using this Blog and a YouTube channel.

manas.bragitoff.com/









Share this:

Click to share on Facebook (Opens in new window)

Click to share on Twitter (Opens in new window)

Click to share on WhatsApp (Opens in new window)

Click to share on Pinterest (Opens in new window)

Click to share on Reddit (Opens in new window)

Click to share on LinkedIn (Opens in new window)

Click to email a link to a friend (Opens in new window)

Click to print (Opens in new window)

Click to share on Tumblr (Opens in new window)

Click to share on Pocket (Opens in new window)

Click to share on Telegram (Opens in new window)

[wpdon id="7041" align="center"]