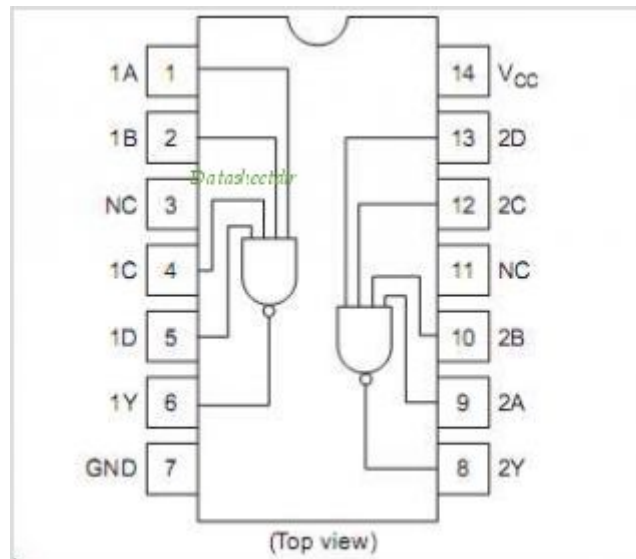


IC 74HC20 Pinout Diagram:



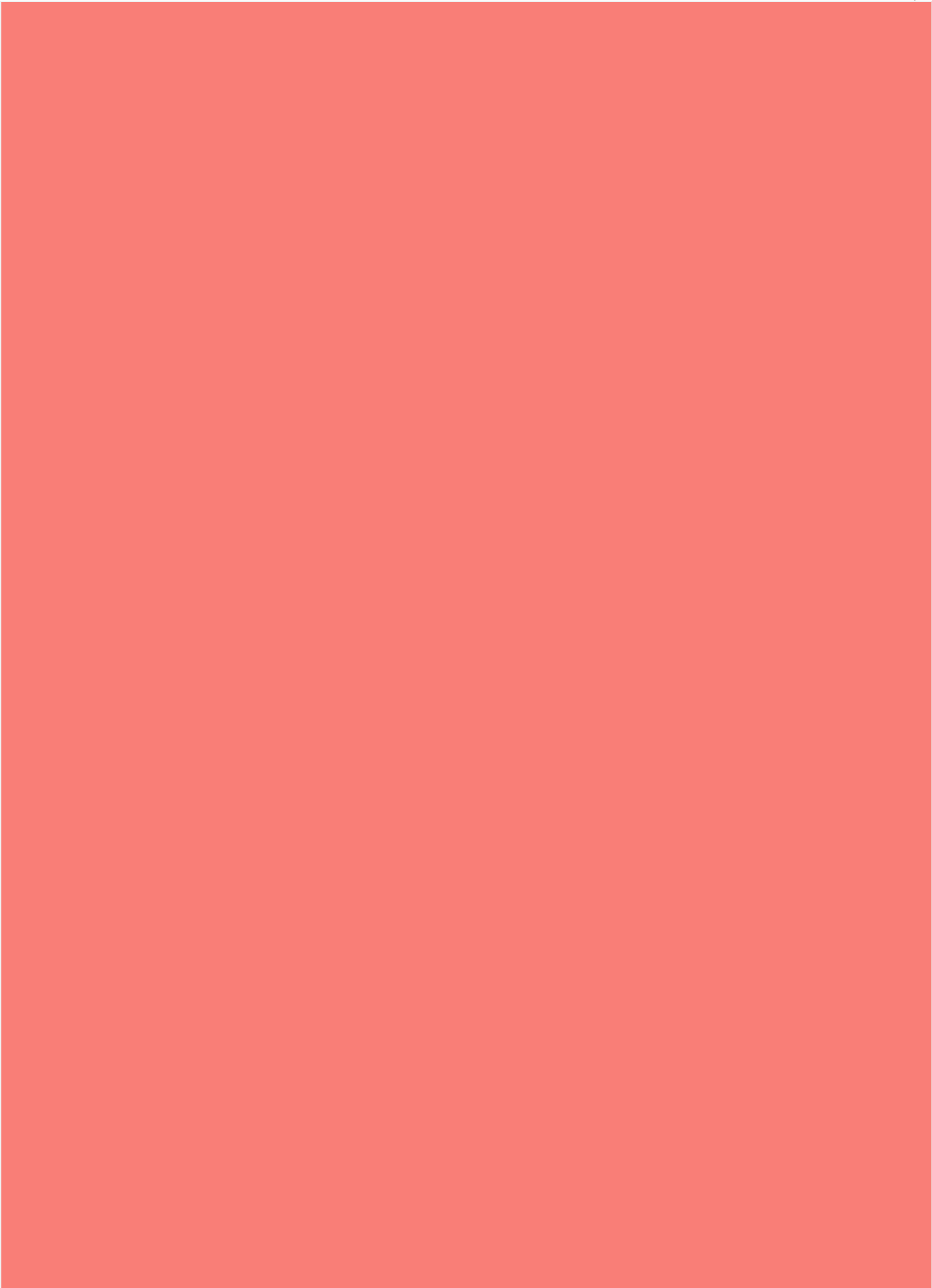
(74hc20 CMOS IC Pinout Diagram) Dual 4-input NAND gate



Manas Sharma

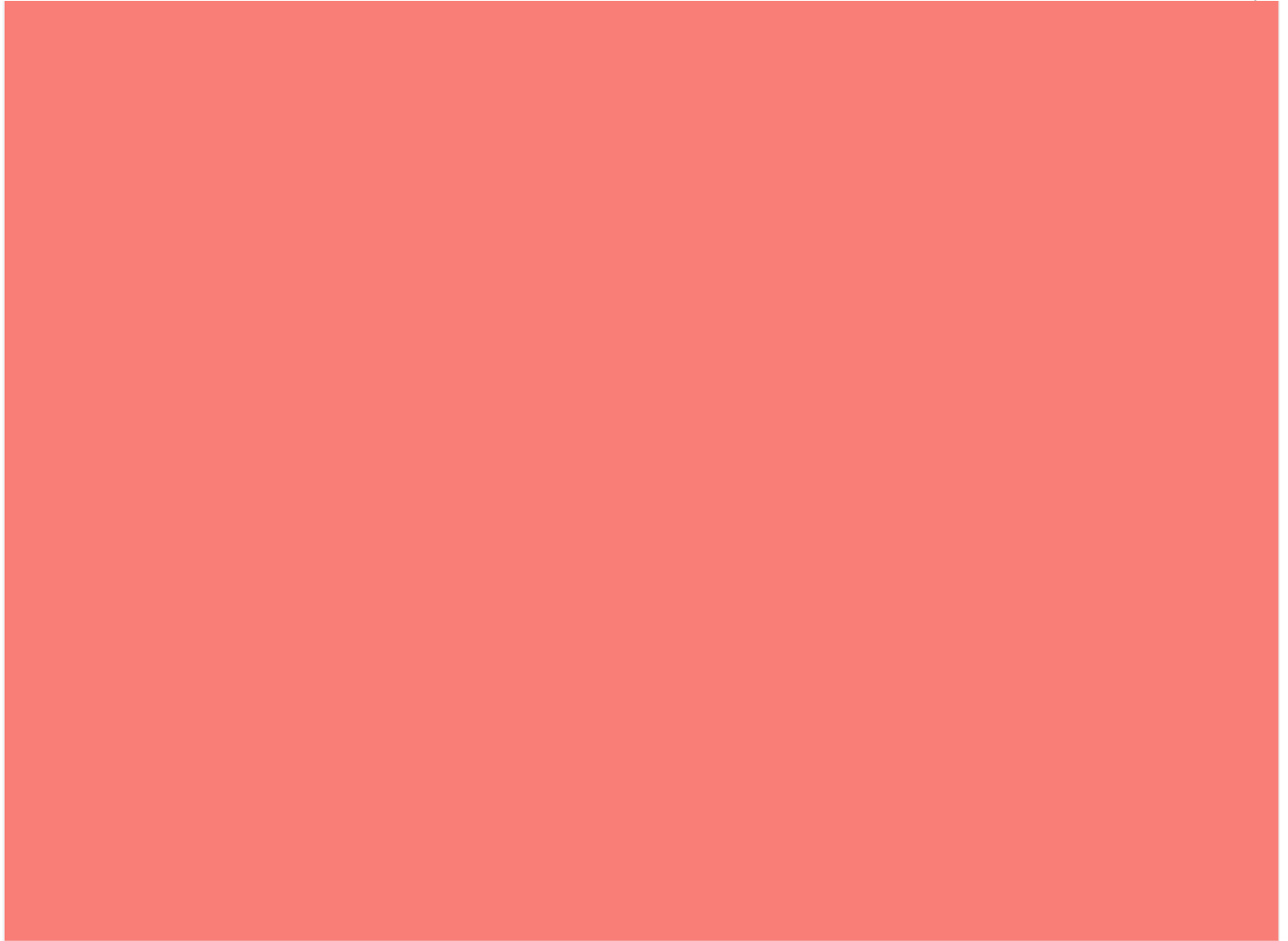
I'm a physicist specializing in computational material science with a PhD in Physics from Friedrich-Schiller University Jena, Germany. I write efficient codes for simulating light-matter interactions at atomic scales. I like to develop Physics, DFT, and Machine Learning related apps and software from time to time. Can code in most of the popular languages. I like to share my knowledge in Physics and applications using this Blog and a YouTube channel.

manas.bragitoff.com/









Share this:

[Click to share on Facebook \(Opens in new window\)](#)

[Click to share on Twitter \(Opens in new window\)](#)

[Click to share on WhatsApp \(Opens in new window\)](#)

[Click to share on Pinterest \(Opens in new window\)](#)

[Click to share on Reddit \(Opens in new window\)](#)

[Click to share on LinkedIn \(Opens in new window\)](#)

[Click to email a link to a friend \(Opens in new window\)](#)

[Click to print \(Opens in new window\)](#)

[Click to share on Tumblr \(Opens in new window\)](#)

[Click to share on Pocket \(Opens in new window\)](#)

[Click to share on Telegram \(Opens in new window\)](#)

[wpedon id="7041" align="center"]