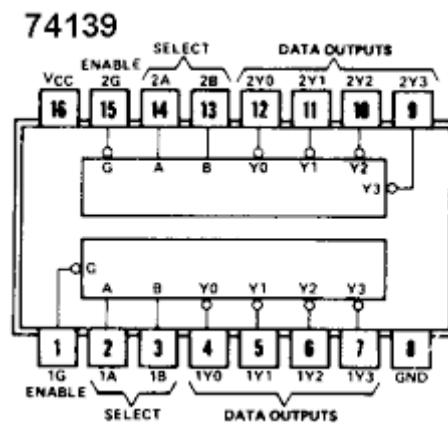


Pin Configuration(IC 74HC139 CMOS device):



74HC139

Expandable dual 2- to 4- line decoder



## Manas Sharma

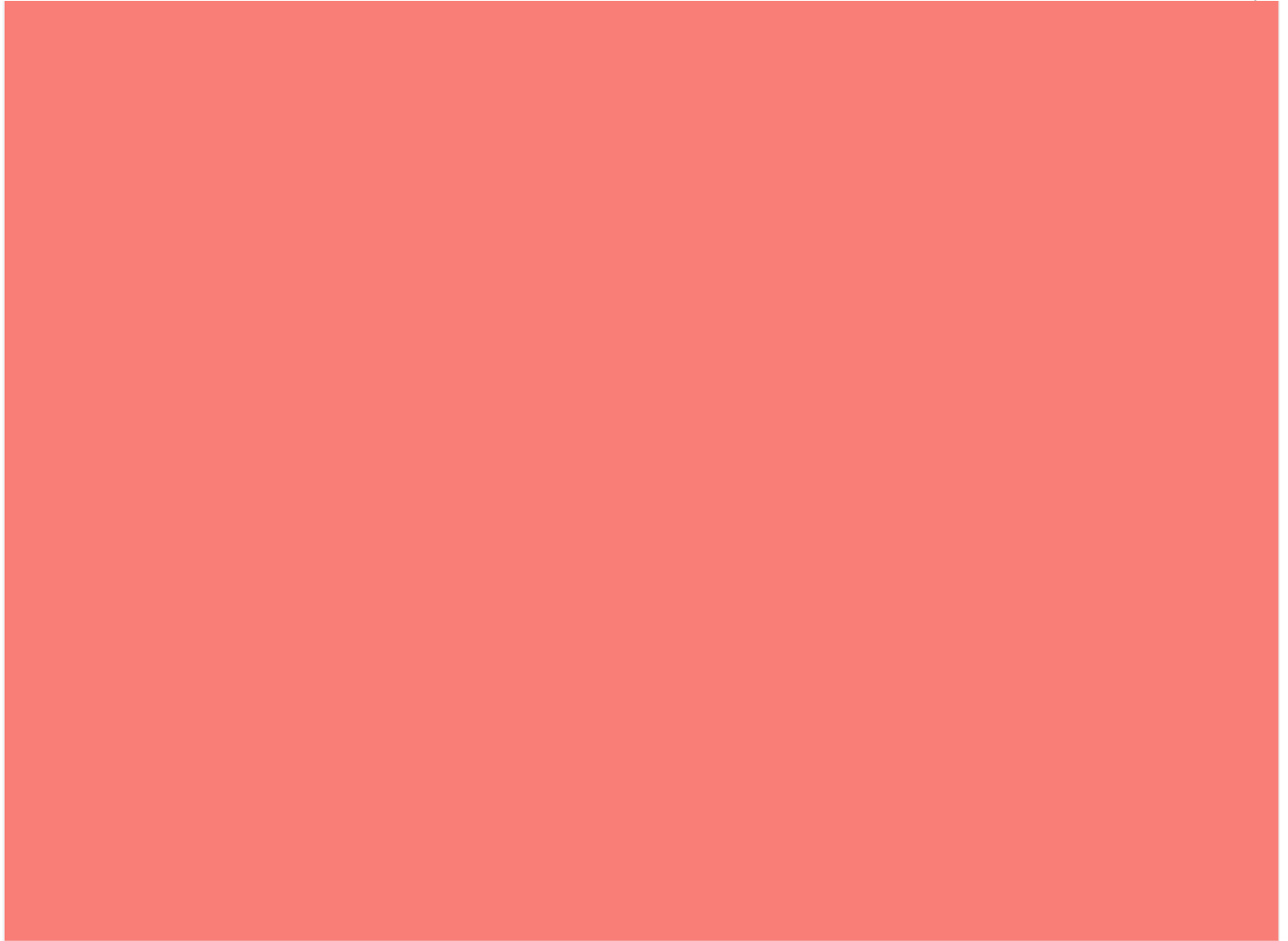
I'm a physicist specializing in computational material science with a PhD in Physics from Friedrich-Schiller University Jena, Germany. I write efficient codes for simulating light-matter interactions at atomic scales. I like to develop Physics, DFT, and Machine Learning related apps and software from time to time. Can code in most of the popular languages. I like to share my knowledge in Physics and applications using this Blog and a YouTube channel.

[manas.bragitoff.com/](https://manas.bragitoff.com/)









**Share this:**

[Click to share on Facebook \(Opens in new window\)](#)

[Click to share on Twitter \(Opens in new window\)](#)

[Click to share on WhatsApp \(Opens in new window\)](#)

[Click to share on Pinterest \(Opens in new window\)](#)

[Click to share on Reddit \(Opens in new window\)](#)

[Click to share on LinkedIn \(Opens in new window\)](#)

[Click to email a link to a friend \(Opens in new window\)](#)

[Click to print \(Opens in new window\)](#)

[Click to share on Tumblr \(Opens in new window\)](#)

[Click to share on Pocket \(Opens in new window\)](#)

[Click to share on Telegram \(Opens in new window\)](#)

[wpdon id="7041" align="center"]